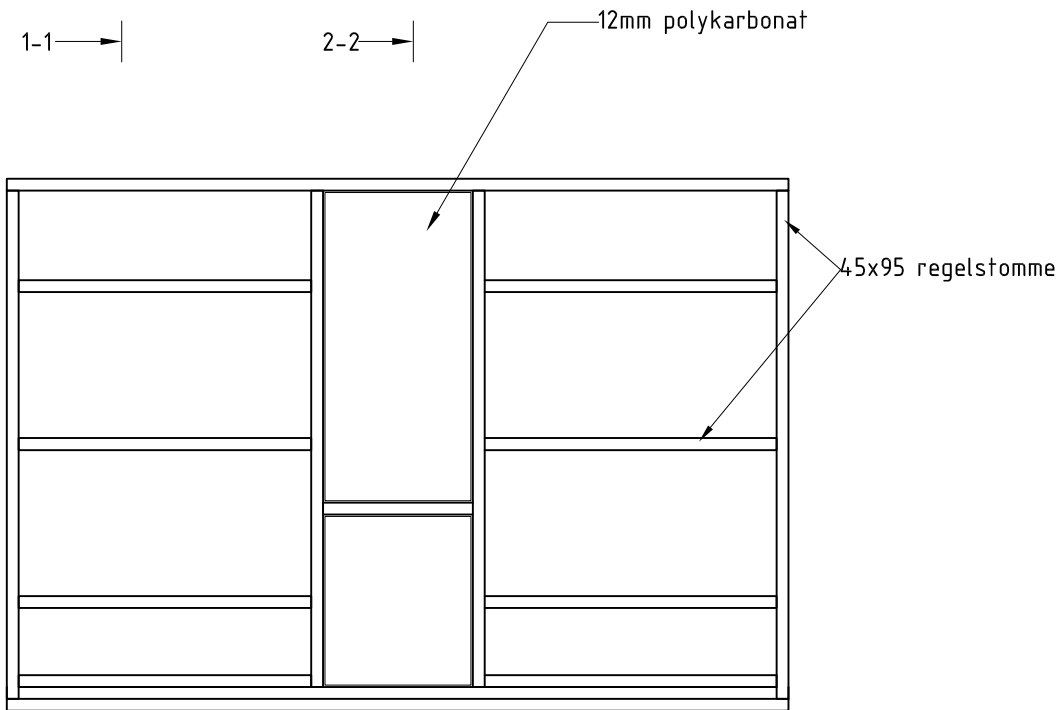
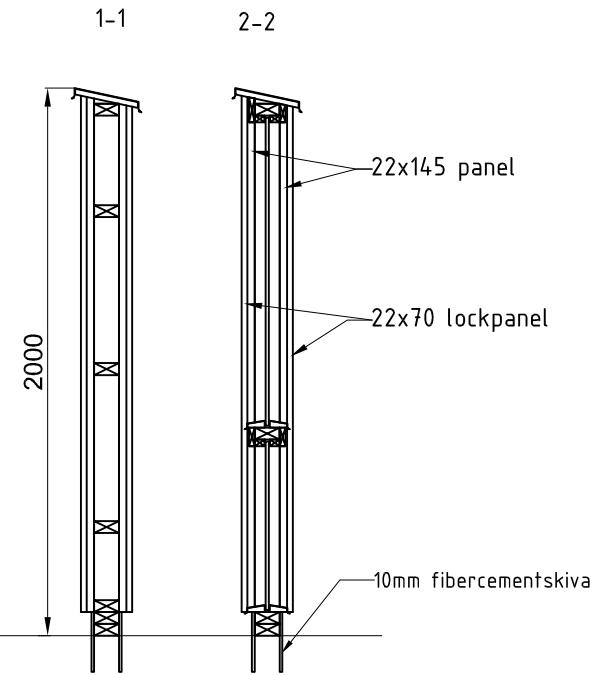


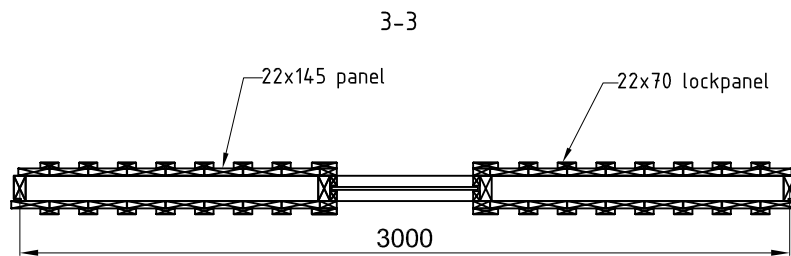
# NB-WOOD-2R-02-POLY




Elevation



Sektion



Horizontalsnitt

Object name and address:		
Designed by:		Tel.: +370-699-038-69 www.htcc.lt
Vaskiu g. 32 Mickai 96361 Lietuva		
Date:	Engineer:	Edition: 0
Scale: 1:20	Project Leader:	Page: 1
Format: A3	Title:	Pages: 1
Stage: WD	Referring No.:	